

# Tuf-dek™ Panel System

## Price List Metric Edition

All items are pultruded fiber reinforced polymer and available upon request in standard resin series:  
Isophthalic Polyester (I) – Isophthalic Polyester Fire Retardant (IFR) – Vinyl ester Fire Retardant (VFR)

Notes: 1) Non-stocked item.

2) IFR and VFR Resin Series are Class I Flame Rating 25 or less per ASTM E-84 and self extinguishing per ASTM D-635.

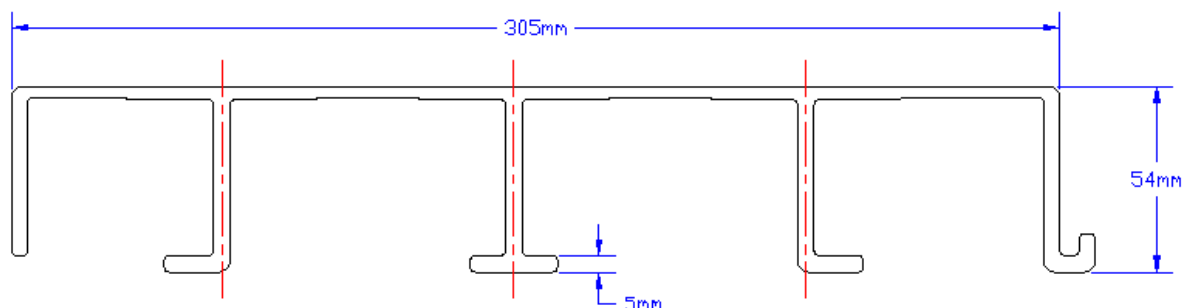
### Grating & Panel

Part Number	Resin Series	Kg/Sq. Meter	List Price/		Color
			Linear Meter	Kg/Linear Meter	
GR303 -SHG (I)	1500	15.43	\$63.09	4.7	Light Gray
GR303 - SHG (IFR)	1525	15.43	67.55	4.7	Light Gray
GR303 - SHG (VFR)	1625	15.43	79.07	4.7	Light Gray

Notes: 1) Above pricing reflects non-skid surface.

For panel without non-skid surface, deduct \$8.07 /sq. meter from discounted pricing.

2) Non-stocked item; minimum order quantity is 2,000 linear ft. for all resin types and colors.



The sizes quoted are nominal sizes converted from Imperial Sizes. Actual sizes are as follows:

Width: 12" (304.8 mm)

Height: 2.125" (53.975 mm)

Flange/Leg Thickness: 0.188" (4.775 mm)



**CREATIVE PULTRUSIONS, INC.**

214 Industrial Lane ■ Alum Bank, Pennsylvania 15521 USA

Phone: +1 814-839-4186 ■ Fax: +1 814-839-4276

Web site: <http://www.creativepultrusions.com> ■ E-mail: [crpul@pultrude.com](mailto:crpul@pultrude.com)

# General Information

## Terms

Net 30 Days  
FOB Factory

## Delivery

Standard Panel:

1 – 25 panels – 5 to 10 working days  
26 – 50 panels – 10 to 20 working days  
Over 50 panels – Consult Creative Pultrusions, Inc.

Fabricated Panel:\*

1 – 25 panels – 10 to 15 working days  
26 – 50 panels – 15 to 25 working days  
Over 50 panels – Consult Creative Pultrusions, Inc.

\*Subject to change upon receipt of detailed fabrication drawings.

## Drop Shipment Charge

Drop Shipment Charge: \$50.00

## Minimum Order/Handling Charge

Less Than 10 Panels: \$50.00 Handling Charge  
Less Than 5 Panels: \$100.00 Handling Charge

## Cutting Charges

Minimum Cutting Charge: \$25.00

Straight Cuts: \$5.00/Linear Meter

Diagonal/Circular Cuts: \$8.20/Linear Meter

Price includes sealing of cut edges.

(Customer will be charged for full panel.)

## Custom Color Charge

Color Charge: \$750.00 per match

Flowgrip® and Pultex® are registered trademarks of Creative Pultrusions, Inc. Creative Pultrusions™, Shaping the Future™, Superstud™, Superstud™/Nuts!, Superstik™, SUPURTUF™, Superplank™, Superdeck™, Supergrate™, Tuf-dek™, SuperLoc™, SuperWale™, SuperCap™, SuperRod™, Pultrusion Dynamics™, DYNAPUL™, Pulshaping™, TOPSCAN™ and TOPDIE™ are trademarks of Creative Pultrusions, Inc.

**The Flowgrip® grating product is manufactured by Creative Pultrusions, Inc. under license by Redman Fisher Engineering, Ltd**