

Flowgrip® Flooring Products

Metric Price List

All items are pultruded fiber reinforced polymer and available upon request in standard resin series:
 Isophthalic Polyester (I) – Isophthalic Polyester Fire Retardant (IFR) – Vinyl ester Fire Retardant (VFR)

Notes: 1) Stocked Items Available in 6.1 and 7.3 meter lengths.

2) IFR and VFR Resin Series are Class I Flame Rating 25 or less per ASTM E-84 and self extinguishing per ASTM D-635.

Grating & Panel – 500mm

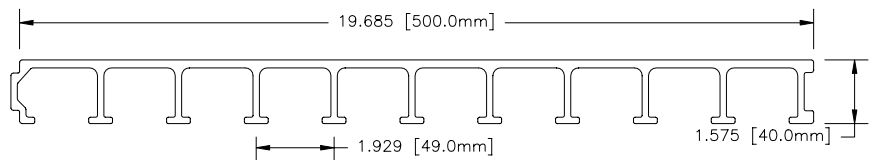
Note: Stocked Items are Highlighted and in Boldface Type.

Part Number	List Price/ Sq. Meter	Kg/Sq. Meter	List Price/ Linear Meter	Kg/Linear Meter	Color
GR202 - SHG (I)	\$258.87	17.04	\$129.35	8.51	Light Gray
GR202 - SHG (IFR)	276.92	17.04	138.46	8.51	Light Gray
GR202 - SHG (VFR)	324.15	17.04	162.05	8.51	Light Gray

Note: Minimum order quantity is 186 square meters or 372 linear meters for all resins, colors and lengths.

Panel Dimensions

500 mm Wide
 40 mm High
 49 mm Thick (Nominal)



Pricing

Panel without slots, deduct \$2.69/square meter or \$1.31/linear meter after discount.

Panel without non-skid surface, deduct \$8.07/square meter or \$4.04/linear meter after discount.

Panels without slots and non-skid surface, deduct \$10.76/square meter or \$5.35/linear meter after discount.

Grating & Panel – 600mm

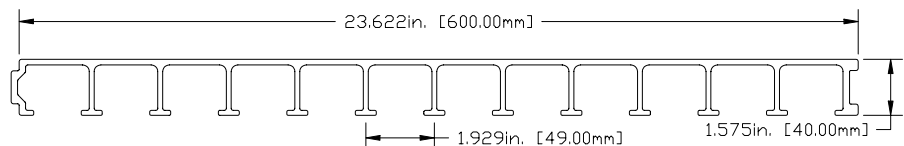
Note: Stocked Items are Highlighted and in Boldface Type.

Part Number	List Price/ Sq. Meter	Kg/Sq. Meter	List Price/ Linear Meter	Kg/Linear Meter	Color
GR200 - SHG (I)	\$245.05	14.65	\$146.97	8.79	Light Gray
GR200 - SHG (IFR)	259.01	14.65	155.39	8.79	Light Gray
GR200 - SHG (VFR)	319.92	14.65	191.92	8.79	Light Gray

Note: Minimum order quantity is 186 square meters or 372 linear meters for all resins, colors and lengths.

Panel Dimensions

600 mm Wide
 40 mm High
 3.5 mm Thick (Web)
 4 mm Thick (Top)



Pricing

Panel without slots, deduct \$2.69/square meter or \$1.64/linear meter after discount.

Panel without non-skid surface, deduct \$8.07/square meter or \$4.92/linear meter after discount.

Panels without slots and non-skid surface, deduct \$10.76/square meter or \$6.56/linear meter after discount.



CREATIVE PULTRUSIONS, INC.

214 Industrial Lane ■ Alum Bank, Pennsylvania 15521 USA

Phone: +1 814-839-4186 ■ Fax: +1 814-839-4276

Web site: <http://www.creativepultrusions.com> ■ E-mail: crpul@pultrude.com

Tread – 19" Panel

Note: Stocked Items are Highlighted and in Boldface Type.

Part Number	List Price/Linear Meter	Kgs/Linear Meter	Color
GR202 -ST (IFR)	\$86.33	4.91	Light Gray

Notes: 1) Tread width is 254mm. Available in various lengths.

2) Special widths are available upon request.

3) All prices are NET; no discount applies.

4) Pricing for tread is the same with or without holes.

5) Minimum order quantity is 186 square meters or 372 linear meters for all resins, colors and lengths.

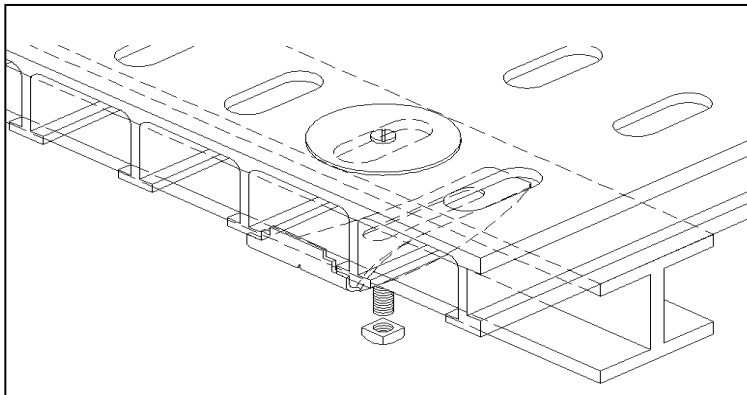
Grating Clips & Accessories

Item	Part Number	Price Each
Top Clip (FG-C)	CLP001	\$5.82
Bolt (FG-B)	CLP002	3.89
Nut (FG-N)	CLP003	0.25
Top Washer (FG-W)	CLP004	2.91
Total Assembly (FG-K)	CLK001	\$12.87
Hidden Hold Down Clip (CLP026-316SS)	CLP026	\$3.91
Hex Head Bolt (1/4"-20 x 1-1/4" length) (CLP018-316SS)	CLP024	1.01
1/4"-20 Nut (CLP027-316SS)	CLP027	0.08
Flat Washer (CLP021-316SS)	CLP021	0.12
Total Assembly	CLK014	\$5.13

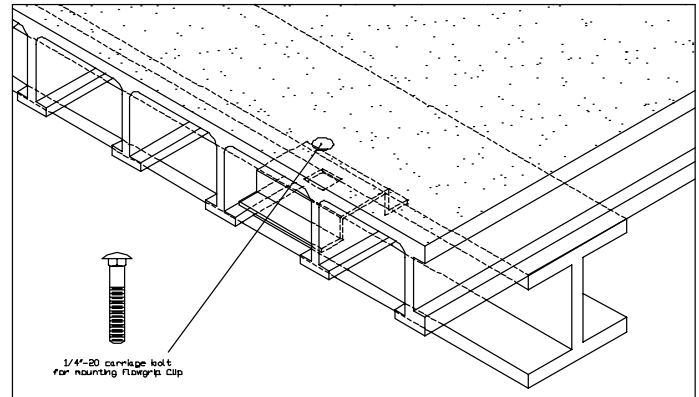
Notes: 1) All units are 316 stainless steel.

2) All prices are NET; no discount applies.

3) Due to volatility of the steel industry, consult sales for pricing.



Top Clip



Hidden Hold Down Clip

General Information

Terms

Net 30 Days
FOB Factory

Delivery

Standard Panel:

- 1 – 25 panels – 5 to 10 working days
- 26 – 50 panels – 10 to 20 working days
- Over 50 panels – Consult Creative Pultrusions, Inc.

Fabricated Panel:*

- 1 – 25 panels – 10 to 15 working days
- 26 – 50 panels – 15 to 25 working days
- Over 50 panels – Consult Creative Pultrusions, Inc.

*Subject to change upon receipt of detailed fabrication drawings.

Drop Shipment Charge

Drop Shipment Charge: \$50.00

Minimum Order/Handling Charge

Less Than 10 Panels: \$50.00 Handling Charge
Less Than 5 Panels: \$100.00 Handling Charge

Cutting Charges

Minimum Cutting Charge: \$25.00
Straight Cuts: \$5.00/Linear Meter
Diagonal/Circular Cuts: \$8.20/Linear Meter
Price includes sealing of cut edges.
(Customer will be charged for full panel.)

Custom Color Charge

Color Charge: \$750.00 Per Color Match

Flowgrip® and Pultex® are registered trademarks of Creative Pultrusions, Inc. Creative Pultrusions™, Shaping the Future™, Superstud™, Superstud™/Nuts!, Superstik™, SUPURTUF™, Superplank™, Superdeck™, Supergrate™, Tuf-dek™, SuperLoc™, SuperWale™, SuperCap™, SuperRod™, Pultrusion Dynamics™, DYNAPUL™, Pulshaping™, TOPSCAN™ and TOPDIE™ are trademarks of Creative Pultrusions, Inc.

The Flowgrip™ grating product is manufactured by Creative Pultrusions, Inc. under license by Redman Fisher Engineering, Ltd.