

# Flowgrip® Flooring Products

## Price List

All items are pultruded fiber reinforced polymer and available upon request in standard resin series:  
 Isophthalic Polyester (I) – Isophthalic Polyester Fire Retardant (IFR) – Vinyl ester Fire Retardant (VFR)

Notes: 1) Stocked Items Available in 20' and 24' lengths.

2) IFR and VFR Resin Series are Class I Flame Rating 25 or less per ASTM E-84 and self extinguishing per ASTM D-635.

### Grating & Panel – 19"

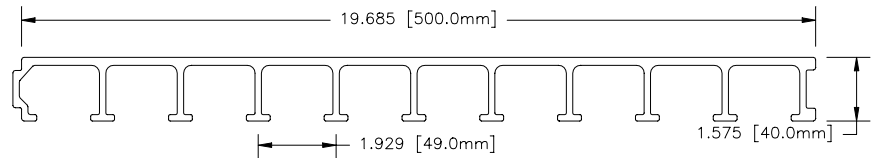
Note: Stocked Items are Highlighted and in Boldface Type.

Part Number	List Price/		List Price/		Color
	Sq. Ft.	Lbs./Sq. Ft.	Linear Ft.	Lbs./Linear Ft.	
GR202 - SHG (I)	\$24.05	3.46	\$39.42	5.68	Light Gray
GR202 - SHG (IFR)	25.72	3.46	42.20	5.68	Light Gray
GR202 - SHG (VFR)	30.11	3.46	49.39	5.68	Light Gray

Note: Minimum order quantity is 2,000 sq. ft. for all resins, colors and lengths.

#### Panel Dimensions

19.685" Wide  
 1.575" High  
 0.197" Thick (Nominal)



#### Pricing

Panel without slots, deduct \$0.25/sq. ft. or \$0.40/linear ft. after discount.  
 Panel without non-skid surface, deduct \$0.75/sq. ft. or \$1.23/linear ft. after discount.  
 Panels without slots and non-skid surface, deduct \$1.00/sq. ft. or \$1.63/linear ft. after discount.

### Grating & Panel – 24"

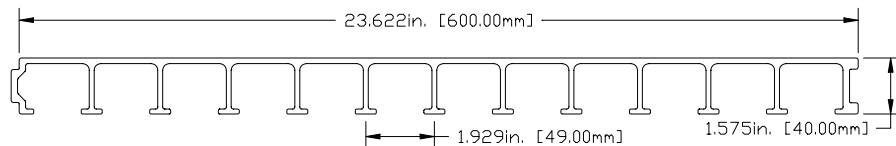
Note: Stocked Items are Highlighted and in Boldface Type.

Part Number	List Price/		List Price/		Color
	Sq. Ft.	Lbs./Sq. Ft.	Linear Ft.	Lbs./Linear Ft.	
GR200 - SHG (I)	\$22.76	3.00	\$44.79	5.91	Light Gray
GR200 - SHG (IFR)	24.06	3.00	47.36	5.91	Light Gray
GR200 - SHG (VFR)	29.72	3.00	58.49	5.91	Light Gray

Note: Minimum order quantity is 2,000 sq. ft. for all resins, colors and lengths.

#### Panel Dimensions

23.62" Wide  
 1.575" High  
 0.138" Thick (Web)  
 0.158" Thick (Top)



#### Pricing

Panel without slots, deduct \$0.25/sq. ft. or \$0.50 linear ft. after discount.  
 Panel without non-skid surface, deduct \$0.75/sq. ft. or \$1.50 linear ft. after discount.  
 Panels without slots and non-skid surface, deduct \$1.00/sq. ft. or \$2.00 linear ft. after discount.



**CREATIVE PULTRUSIONS, INC.**

214 Industrial Lane ■ Alum Bank, PA 15521  
 Phone: 814-839-4186 ■ Fax: 814-839-4276  
 Toll Free 888-CPI-PULL (274-7855)

Web site: <http://www.creativepultrusions.com> ■ E-mail: [crpul@pultrude.com](mailto:crpul@pultrude.com)

# Tread – 19" Panel

Note: Stocked Items are Highlighted and in Boldface Type.

Part Number	List Price/Linear Ft.	Lbs./Linear Ft.	Color
GR202 -ST (IFR)	\$26.31	3.3	Light Gray

- Notes: 1) Tread width is 10 inches. Available in various lengths.  
 2) Special widths are available upon request.  
 3) All prices are NET; no discount applies.  
 4) Pricing for tread is the same with or without holes.  
 5) Minimum order quantity is 2,000 sq. ft. for all resins, colors and lengths.

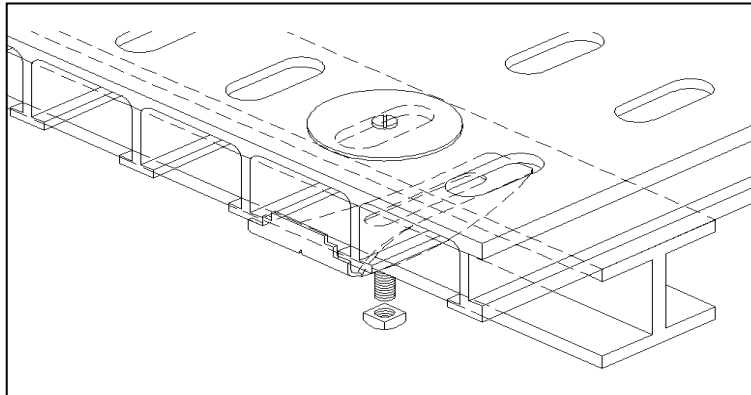
## Grating Clips & Accessories

Item	Part Number	Price Each
Top Clip (FG-C)	CLP001	\$5.82
Bolt (FG-B)	CLP002	3.89
Nut (FG-N)	CLP003	0.25
Top Washer (FG-W)	CLP004	2.91
Total Assembly (FG-K)	CLK001	\$12.87
Hidden Hold Down Clip (CLP026-316SS)	CLP026	\$3.91
Hex Head Bolt (1/4"-20 x 1-1/4" length) (CLP018-316SS)	CLP024	1.01
1/4"-20 Nut (CLP027-316SS)	CLP027	0.08
Flat Washer (CLP021-316SS)	CLP021	0.12
Total Assembly	CLK014	\$5.13

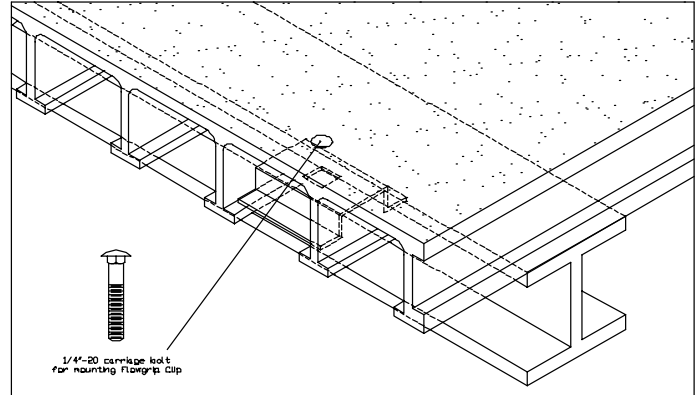
All units are 316 stainless steel.

All prices are NET; no discount applies.

NOTE: Due to volatility of the steel industry, consult sales for pricing.



Top Clip



Hidden Hold Down Clip

# General Information

## Terms

Net 30 Days  
FOB Factory

## Delivery

Standard Panel:

- 1 – 25 panels – 5 to 10 working days
- 26 – 50 panels – 10 to 20 working days
- Over 50 panels – Consult Creative Pultrusions, Inc.

Fabricated Panel:\*

- 1 – 25 panels – 10 to 15 working days
- 26 – 50 panels – 15 to 25 working days
- Over 50 panels – Consult Creative Pultrusions, Inc.

\*Subject to change upon receipt of detailed fabrication drawings.

## Drop Shipment Charge

Drop Shipment Charge: \$50.00

## Minimum Order/Handling Charge

Less Than 10 Panels: \$50.00 Handling Charge  
Less Than 5 Panels: \$100.00 Handling Charge

## Cutting Charges

Minimum Cutting Charge: \$25.00  
Straight Cuts: \$1.50/Linear Ft.  
Diagonal/Circular Cuts: \$2.50/Linear Ft.  
Price includes sealing of cut edges.  
(Customer will be charged for full panel.)

## Custom Color Charge

Color Charge: \$750.00 Per Color Match

Flowgrip® and Pultex® are registered trademarks of Creative Pultrusions, Inc. Creative Pultrusions™, Shaping the Future™, Superstud™, Superstud™/Nuts!, Superstik™, SUPURTUF™, Superplank™, Superdeck™, Supergrate™, Tuf-dek™, SuperLoc™, SuperWale™, SuperCap™, SuperRod™, Pultrusion Dynamics™, DYNAPUL™, Pulshaping™, TOPSCAN™ and TOPDIE™ are trademarks of Creative Pultrusions, Inc.

**The Flowgrip™ grating product is manufactured by Creative Pultrusions, Inc. under license by Redman Fisher Engineering, Ltd**